

INDUSTRIAL FIBERGLASS ENCLOSURES

**DURO
BOX**



Built for the Duration ! DEVI POLYMERS

Features

- Body:** Glass fiber reinforced polyester. Cover and base are fastened by captive lid screws in stainless steel
- Seal:** Tongue and groove system with endless Poly Urethane Foam (PUF) seal
- Mounting:** Galvanised sheet steel Mounting plate available as accessory (Except 75 series)
- Hinge:** Polyamide or Stainless Steel hinges available as accessories. (Except 75 series)
- Enclosure:** Screw channels outside the sealing lip. External mounting brackets in polyamide or stainless steel are available as accessories



Specifications

- Material Box & Cover :** Glass fibre Reinforced Polyester Conforming to DIN 16911 type 803 or DIN 16913 type 834- 834.5
- # Cover :** Natural Clear Polycarbonate GE Lexon 943A UL appr.
- Protection Class :** IP 66 (EN 60 529)
- Impact resistance :** > 7 Nm, (EN 50 014)
- Flammability :** Self extinguishing (UL 94 - V0)
- Protective insulation :** Fully insulated (VDE 0100)
- Seal :** -40° C to +80° C, Seamless PUF (standard)
-40° C to +120° C, Silicon cord (on request)
- Dielectric strength :** >10 Kv/mm.
- Water absorption :** Max. 0.7 % (ASTM D 570)
- Toxicity :** Halogen - free.
- Surface resistance :** >10¹²ohm (DIN 53 482)
- Colour :** Grey (RAL 7001)
Special colours available on request.

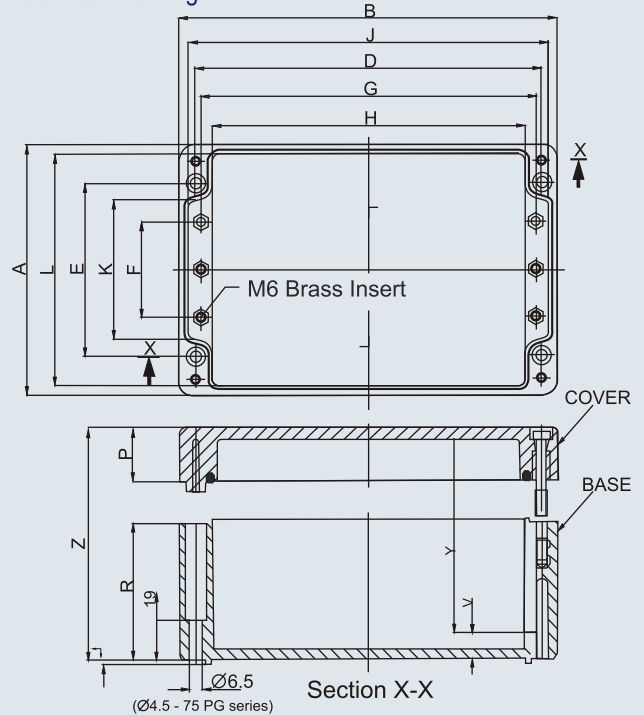
Assembly

With DIN rail, Terminal blocks and Cable glands, as per customer requirement.

Service

Drilling, Milling, etc. will be carried out as per customer requirements

Technical Drawing



ENCLOSURE DIMENSIONS (mm)											
	ENCLOSURE TYPES - PG series	075 110 055	075 080 075	120 122 090 #PC 120 122 090	120 220 090 #PC 120 220 090	160 160 090	160 260 090	250 255 120	250 400 120 (165)	360 360 090	405 400 120
A	ENCLOSURE WIDTH (W)	75	75	120	120	160	160	250	250	360	405
B	ENCLOSURE LENGTH (L)	110	80	122	220	160	260	255	400	360	400
D	MOUNTING CENTER (SIDE-L)	98	63	106	204	140	240	235	380	340	380
E	MOUNTING CENTER (SIDE-W)	45	40	82	82	110	110	200	200	310	355
F	INSERT CENTER - (SIDE-W)	N/A	N/A	52	52	76	76	100	100	136 / 270	250
G	INSERT CENTER - (SIDE-L)	89	58	95	193	132	232	227	372	332	372
\$	NO. OF BRASS INSERTS	2(M4)	2(M4)	6	6	6	6	6	6	10	6
H	MINIMUM INNER LENGTH	80	43	81.5	179.5	119	219	213	358	319	359
J	MAXIMUM INNER LENGTH	101	70	112	210	147	247	241	386	347	386
K	MINIMUM INNER WIDTH	32	25	65	65	89	89	178	178	289	333
L	MAXIMUM INNER WIDTH	65	65	110	110	147	147	236	236	347	391
P	COVER HEIGHT	15	15	25	25	20	20	25	25	20	25
R	BASE HEIGHT	41	60	65	65	70	70	95	95 / (140)	70	95
V	HEIGHT OF MOUNTING STEP	10.5	10	11	11	11.5	11.5	11.5	11.5	11.5	11.5
Y	MINIMUM INNER HEIGHT	40.5	60	74	74	73.5	73.5	103.5	103.5 / (148.5)	73.5	103.5
Z	OVER ALL HEIGHT	56	75	90	90	90	90	120	120 / (165)	90	120

Standard International Range Enclosures

TYPES	SIZE (WxLxH)
PG 075 110 055	75 X 110 X 55
PG 075 080 075	75 X 80 X 75
PG 120 122 090	120 X 122 X 90
PC 120 122 090 [#]	120 X 122 X 90
PG 120 220 090	120 X 220 X 90
PC 120 220 090 [#]	120 X 220 X 90
PG 160 160 090	160 X 160 X 90
PG 160 260 090	160 X 260 X 90
PG 250 255 120	250 X 255 X 120
PG 250 400 120	250 X 400 X 120
PG 360 360 090	360 X 360 X 90
PG 405 400 120	405 X 400 X 120
PG 500 500 205	Drawing available on request



DEVI POLYMERS PRIVATE LTD
Marketing Division (Unit C)

NP. 23/24, Developed Plot, Ekkattuthangal, Chennai- 97. India
Phone : ++ 91 44 2225 0359 / 2225 1502 Fax : ++ 91 44 2225 0349
e-mail : devi@xlweb.com / marketing@devipolymers.com



UL - E 324490
IP-67, Nema 6

UL Type Approved

Clear Polycarbonate Cover with GRP Base

www.devipolymers.com